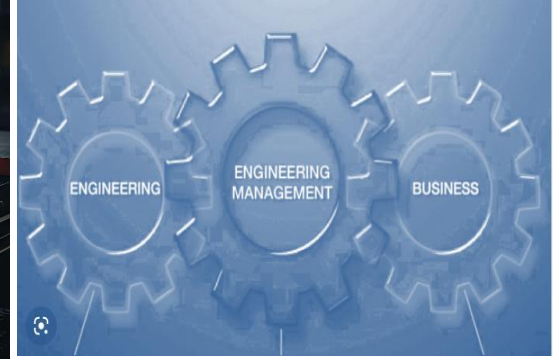
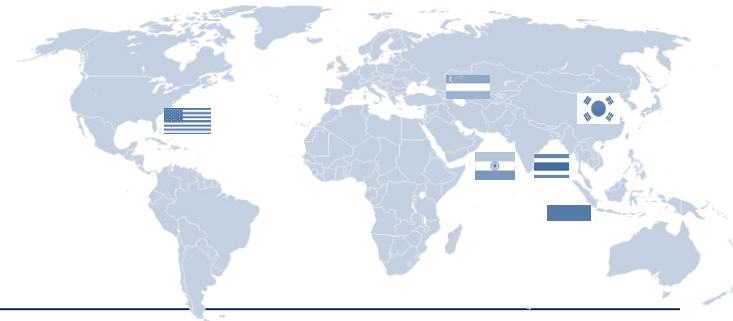




# JW INDUSTRIAL TECH SERVICE PVT LTD



- Installation, relocation, remodeling, and repair projects of mechanical and electrical equipment in all kinds of automobile production facilities
  - ▶ Painting shop, Assembly shop, Press shop, Body shop
- FCS, CPC conveyor installation, repair, modification
- Main equipment installation, repair, and remodeling (electrode coating line, workshop, oven, workshop, duct piping)
- Production equipment related repairs, welding, painting, canning and others
  - ▶ Jig and fixture Design and Fabrication / Manufacture pallets and trolleys / Production of safety guards and doors ,Grating, SS tank, etc.
- Supply of Korean industrial consumables (related to in-vehicle production facilities)
- On-site process development work, response to mass production of machines, etc.
- Engineering AMC Contract



*“ We promises your faith partner ”*

**JWITS (JW INDUSTRIAL TECH SERVICE PVT LTD)**

# BUSINESS CONTACT (BANGALORE REGAL OFFICE, AP SHED near KIN PLANT)

## BANGALORE OFFICE (India Legal Address Office)



## Haripuram Shed : 1/63, Haripuram, Andhra Pradesh 515110, INDIA



## #SY.No:32/1, Plot No: 3,4, Industrial Estate, Pilligundla, Anantapur, Andhra Pradesh 515001, INDIA



*" We promises your faith partner "*

**JWITS (JW INDUSTRIAL TECH SERVICE PVT LTD)**

# BUSINESS CONTACT (Anantapur Fabrication Plant)

#SY.No:32/1, Plot No: 3,4, Industrial Estate, Pilligundla, Anantapur, Andhra Pradesh 515001, INDIA

## Possessed Equipment

◆ V-bending machine, powder coating machine, shearing machine,



◆ Fabrication Manufacturing - Milling, Welding, Powder Coating, Packing, Delivery



*" We promises your faith partner "*

**JWITS (JW INDUSTRIAL TECH SERVICE PVT LTD)**

## BUSINESS CONTACT



INDIA )인도 법인

LEE JIN WOO / Project Managing Director (법인 대표 : 이진우)

+91 97911 66444 (INDIA), + 82 10 5185 3757 (KOREA), E-Mail : [lee@jwits.in](mailto:lee@jwits.in)

ROY SUMAN / Project Super Visor & Technical Assistance (Mechanical / Electrical)

+91 99320 23390, E-Mail : [jwitsroy@gmail.com](mailto:jwitsroy@gmail.com) / [jwitsindia@gamail.com](mailto:jwitsindia@gamail.com)

PAVAN KUMAR / Safety & Project Coordinator (Mechanical)

+91 99599 54095, E-Mail : [jwitspavan@gmail.com](mailto:jwitspavan@gmail.com) / [jwitsindia@gamail.com](mailto:jwitsindia@gamail.com)

SAISRAVAN K / Design & Fabrication

+91-73860 - 16912 / +91-8554-222996, Email : [hello@sileglobal.com](mailto:hello@sileglobal.com)

LEE MIN SUB / CFO Director (법인 재무 팀장 : 이민섭)

+91 97898 88485 (INDIA), Email : [lee@msventures.in](mailto:lee@msventures.in) ( [www.msventures.in](http://www.msventures.in), [www.hotellotus.in](http://www.hotellotus.in) )

### JW INDUSTRIAL TECH SERVICE PRIVATE LIMITED

BANGALORE OFFICE (India Legal Address Office) (법인 등록 사무실, 회계, 호텔)

24/1, 120 Doddanekundi, Ferns City Road, Outer Ring Rd, Marathahalli, Bengaluru, Karnataka 560037, INDIA

Haripuram Shed : 1/63, Haripuram, Andhra Pradesh 515110, INDIA

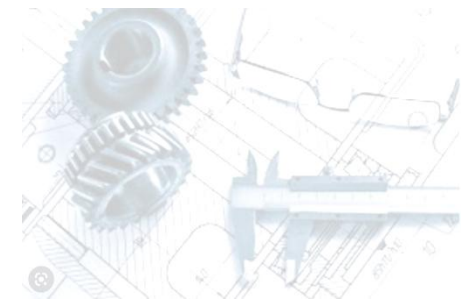
Anantapur Fabrication Plant : Gana Saai Industries Industrial Estate, Pilligundla, Anantapur, Andhra Pradesh 515001, INDIA

KOREA )한국 법인(Korea Legal Address)

803 - #1004, Sangsin-Hagil-ro 274-61, Hyangnam-eup, Hwaseong-si, Gyeonggi-do 18611

18611 경기도 화성시 향남읍 2774번길61 모아엘가 803동 1004호

한국법인 (개인 사업자) 사업자 등록 번호 : 279-35-01121(전자세금용 : [woojinindia@outlook.com](mailto:woojinindia@outlook.com))



“ We promises your faith partner ”

**JWITS (JW INDUSTRIAL TECH SERVICE PVT LTD)**

## BUSINESS – JWITS Organization Chart

### PROJECT DIRECTOR (AP)

Name	Jin woo Lee
C.P.	+91 97911 66444

### CFO & PURCHASE (BANGALORE)

Name	Min Sub LEE
C.P.	+91 97898 88485

### Project Manager

Name	Suman Roy
C.P.	+91 9932023390

### Safety Manager

Name	Pavan
C.P.	+91 8248663616

### DESIGN

Name	Sai
C.P.	+91 73860 16912

### PURCHASE

Name	Rupon
C.P.	+91 9148482411

### S.V Team

Name	Mintu
C.P.	+91 82486 63616

### Transport Manager

Name	Prashad
C.P.	+91 8142729742

### DESIGN

Name	Vijayvasu
C.P.	+91 9494089581

### PURCHASE

Name	DEEPAK
C.P.	+91 9611626618

### Mechanical Team

Name	Pralaya
C.P.	+91 8248663616

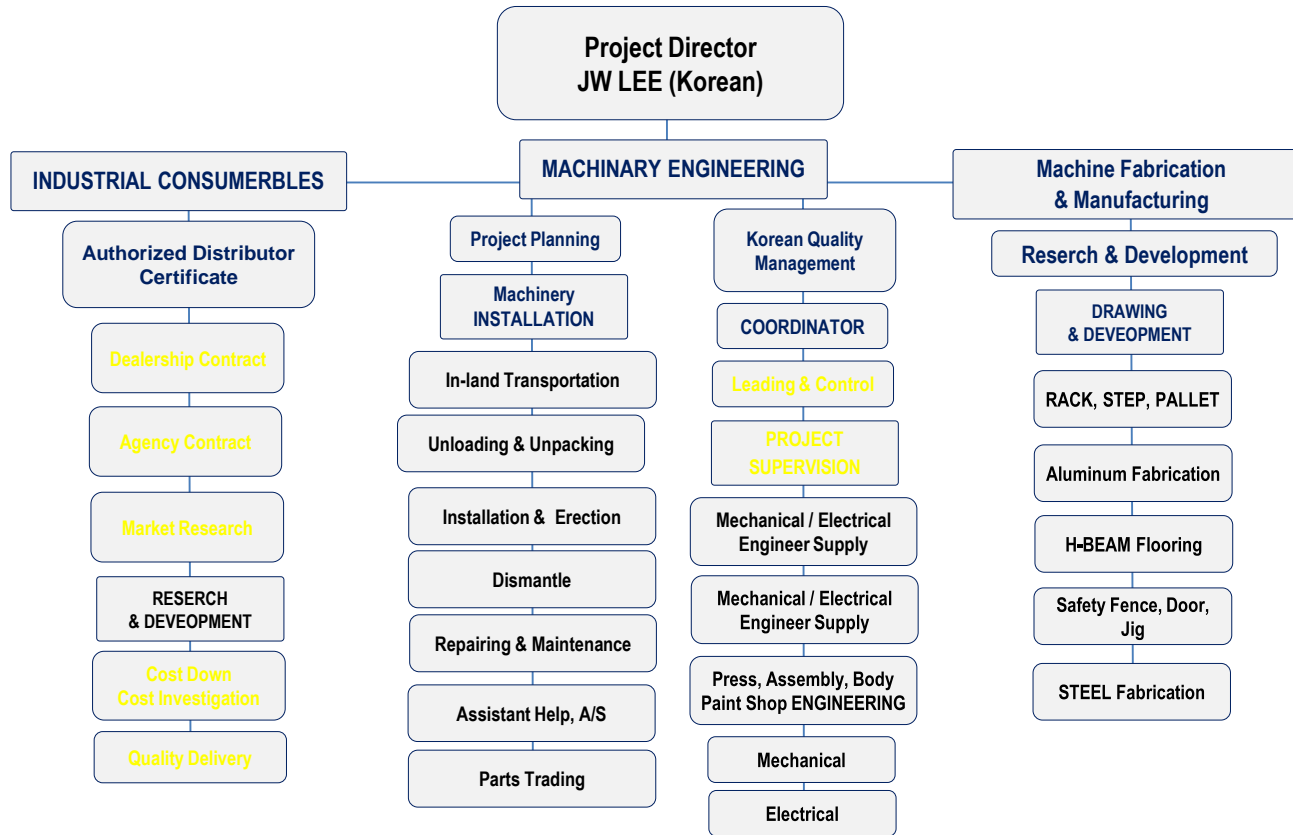
### Welding Team

Name	Amarash
C.P.	+91 82486 63616

- Create a daily work plan
- Check in and out
- Check incoming items
- Check work flow
- Commissioning response
- production response
- Customer Support
- Tool Room Managing
- Site Support

- people plan
- Hazard identification
- Create a daily work plan
- Daily safety and health training
- Check in and out
- work time planning
- Check work flow
- Trial run and mass

- Stretching before & after Work
- Conduct safety training
- Prevention of safety accidents between work
- Check work flow
- Prevention of Pollution for work
- Prevention of work condition
- Prevention of COVID-19 infection



# 2025 JW Actual Work Performance – Paint Shop (FABRICATION + INSTALL) (KIN)(JH ENG)

## ◆ PAINT SHOP NEW CAR Rail Pitch Modification Work (SP3i)



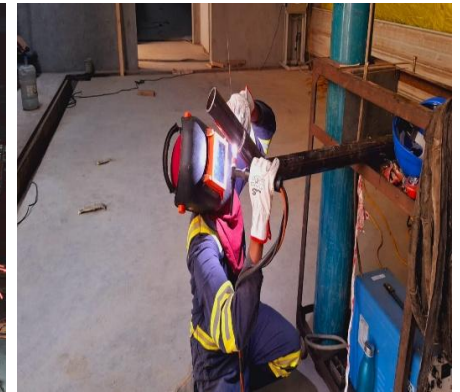
## ◆ PAINT SHOP NEW CAR OFF LINE TEST (SP3i)



*“ We promises your faith partner ”*

**JWITS (JW INDUSTRIAL TECH SERVICE PVT LTD)**

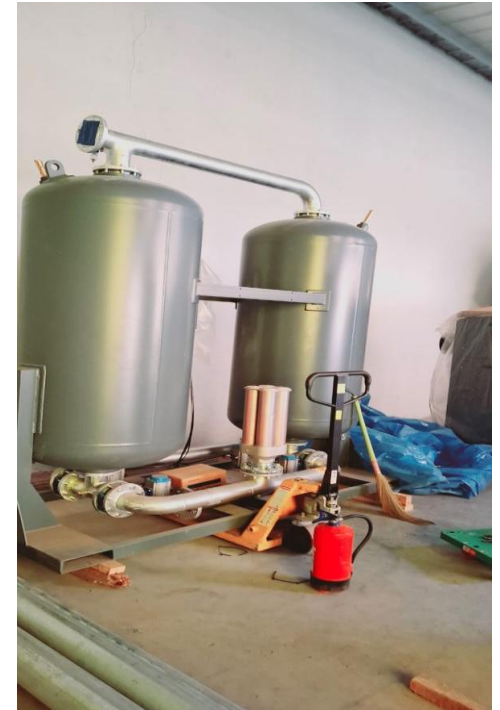
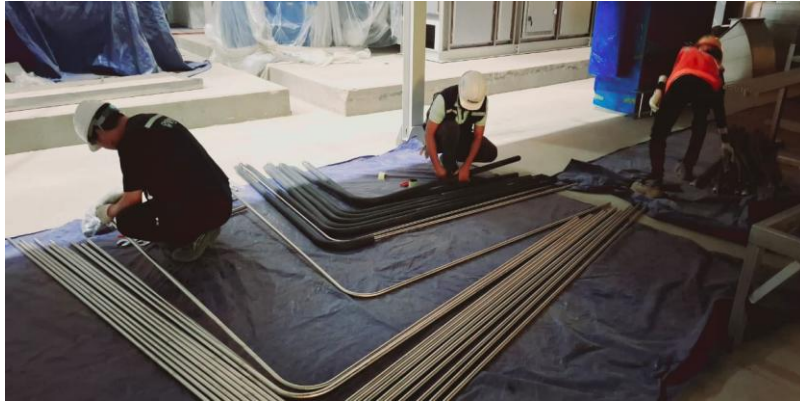
# 2025 JW Actual Work Performance – PCS & CWS PIPE Line install (PUNE SEYON)(R-TAEC)



*“ We promises your faith partner ”*

**JWITS (JW INDUSTRIAL TECH SERVICE PVT LTD)**

# 2025 JW Actual Work Performance – PCS & CWS PIPE Line install (PUNE SEYON)(R-TAEC)



*“ We promises your faith partner ”*

**JWITS (JW INDUSTRIAL TECH SERVICE PVT LTD)**

# 2024 JW Actual Work Performance – TURNKEY PROJECT (KIN PAINT - PAILANT)

## ◆ PAINT SHOP – Unloading, Dismantle, Modification (OVEN, WORK STATION, DUCT, ED LINE)



*“ We promises your faith partner ”*

**JWITS (JW INDUSTRIAL TECH SERVICE PVT LTD)**

# 2024 JW Actual Work Performance – TURNKEY PROJECT (KIN PAINT - PAILANT)

## ◆ PAINT SHOP – Unloading, Dismantle, Modification (OVEN, WORK STATION, DUCT, ED LINE)



*“ We promises your faith partner ”*

**JWITS (JW INDUSTRIAL TECH SERVICE PVT LTD)**

# 2023 JW Actual Work Performance – Paint Shop (FABRICATION + INSTALL) (KIN)(JW)

## ◆ PAINT SHOP OIL TRAY EXTENSION (MAY SHUT DOWN)



*“ We promises your faith partner ”*

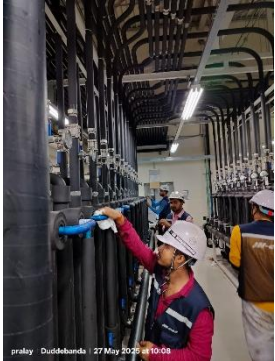
**JWITS (JW INDUSTRIAL TECH SERVICE PVT LTD)**

# 2024 JW Actual Work Performance – Paint Shop (FABRICATION + INSTALL) (KIN)(Doolim Yaskawa)

## ◆ PAINT SHOP TOP COAT BOOTH PCS GUN SS COVER INSTALL – 40EA



## ◆ PAINT SHOP INSULATION WORK



ArmaFlex Class 1 Black	
적용온도	- 50 °C ~ 105 °C
열전도율	0.034 W/m-K 이하 [20 °C]
두께 계수	6 ng·m <sup>3</sup> ·s·Pa 이하
기초소재	NBR
색상	흑색
제품구성	시트, 튜브



“ We promises your faith partner ”

JWITS (JW INDUSTRIAL TECH SERVICE PVT LTD)

## Work career – Paint Shop (2022)

### ◆ KIN UBS OVEN RAIL REPLACEMENT – DONGHEE INDUSTRY (2022)



### ◆ KIN TOP COAT #2 PCS LINE Chocked SS Pipe Replacemnet – DOOLIM YASKAWA INDIA(2022)



*“ We promises your faith partner ”*

**JWITS (JW INDUSTRIAL TECH SERVICE PVT LTD)**

## Work career – Paint Shop (2022)

### ◆ ED Roof Riser Modification (Electro Deposition Bath) with SEDA ENGINEERING Pvt. Ltd. India (2022)



### ◆ Washing Dolly Grating Booth Extension – water tank, duct, grating with SEDA ENGINEERING Pvt. Ltd. India (2022)



*“ We promises your faith partner ”*

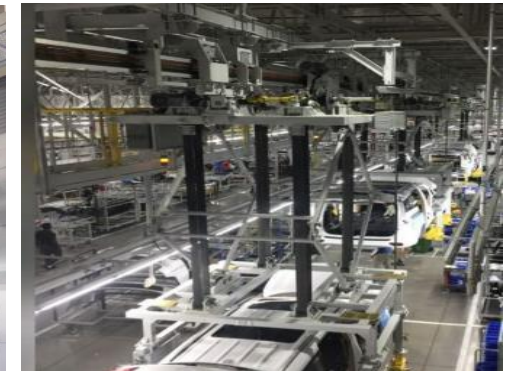
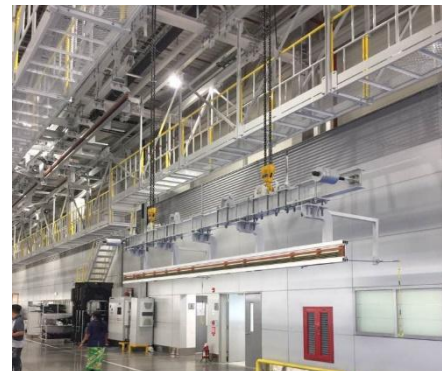
**JWITS (JW INDUSTRIAL TECH SERVICE PVT LTD)**

# Work career – Paint Shop, Assembly Shop (2020~21)

## ◆ KY Conveyor Dolly Attach Modification with DONGHEE INDUSTRY (2021)



## ◆ EMS HANGER INSTALL (YP ASSEMBLY SHOP) with ACE (2020)



“ We promises your faith partner ”

**JWITS (JW INDUSTRIAL TECH SERVICE PVT LTD)**

## Work career – Paint Shop (2020)

### ◆ SIDE LIFER REPLACEMENT (CTS, PBS, WBS) with DONGHEE INDUSTRY (2020)



### ◆ PBS DECK EXTENSION, HOIST MAINTENANCE with DONGHEE INDUSTRY (2020)



### ◆ QY Conveyor Dolly Attach Modification with DONGHEE INDUSTRY (2020)



*“ We promises your faith partner ”*

**JWITS (JW INDUSTRIAL TECH SERVICE PVT LTD)**

## Work career – Paint Shop Work (2018~19)

- ◆ Conveyor, DL, TL Drive installation (WBS, PAINT SHOP, CTS) with DONGHEE INDUSTRY (2018~2019)



*“ We promises your faith partner ”*

**JWITS (JW INDUSTRIAL TECH SERVICE PVT LTD)**

# Work career – Utility Shop (2018~2019)

- ◆ Assembly Fuel Station Stay Tank, Pipe Installation & Maintenance
- ◆ Assembly WWTP Pipe Line Maintenance



- ◆ Assembly YP Compressor Maintenance

- ◆ Body Shop Argon Tank Install



- ◆ Hyundai Chemical Tank Farm Installation & Maintenance



*“ We promises your faith partner ”*

**JWITS (JW INDUSTRIAL TECH SERVICE PVT LTD)**

# JW Actual Work Performance – FABRICATION (SUNGWOO)

## ◆ PRESS SHOP – HEAVY MATERIAL RACK



## ◆ Material Handling Trolleys/Pallets - KY/EV & UPR RAD - Optimized with More Quantity & Functioning



## ◆ POWDER COATING



*“ We promises your faith partner ”*

**JWITS (JW INDUSTRIAL TECH SERVICE PVT LTD)**

# Consumerble Business – Technical Industrial Machinery Parts of Consumerbles

## SOLAIR<sup>Portable</sup>

AIRBORNE PARTICLE COUNTERS



**T**HE SOLAIR series portable particle counters incorporate our extreme life laser diode technology sensor to produce the industry's longest laser diode life of 20+ year MTTF (based on continuous 24/7 operation) Using a new, lighter extended-life battery and external AC adapter, the SOLAIRs are even more portable. The SOLAIR features one of the industry's best user interfaces (UI) to configure and operate the instrument with intuitive ICON-driven screens and menus that are simple and easy to learn and use.



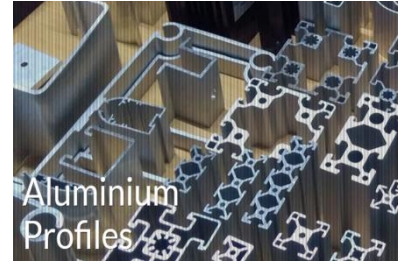
W101-B-C    W101-B-TC    W101-B-LH

W101-B-TH    W101-B (選→スライム部のみ)

扱いやすい汎用タイプ、機器取付型!

品名	A	B	C	D	E	F	G	H	注
標準型	144	87	143	123	32	22	32	41	1.4.6.5.1
選型									選型

■スライムは、10分以内で交換する必要があります。選型は、10分以内で交換する必要があります。選型は、10分以内で交換する必要があります。



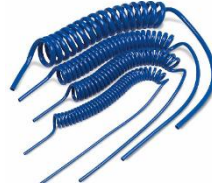
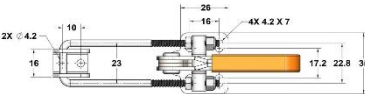
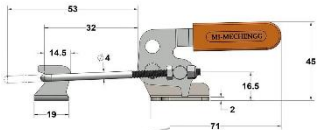


**Spraying Systems Co.**  
Experts in Spray Technology

- Spray Nozzles
- Spray Control
- Spray Analysis
- Spray Fabrication

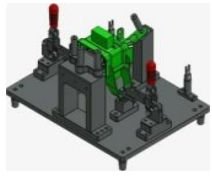
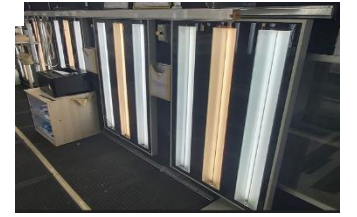
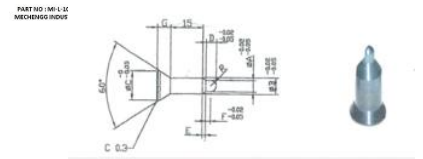
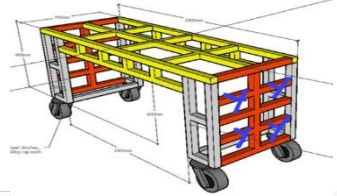
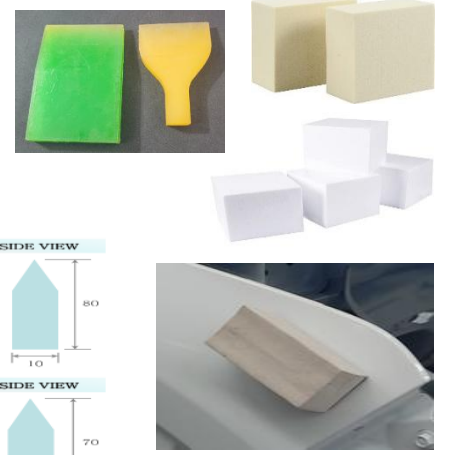


### Humidifying and Moisturizing Spray Nozzles

TOP VIEW    SIDE VIEW

TOP VIEW    SIDE VIEW



" We promises your faith partner "

JWITS (JW INDUSTRIAL TECH SERVICE PVT LTD)

# 2008~2019 Project Business – Machine Install & Turnkey Project 12Years PM Career in INDIA



## TEAM VISION

First, Develop a machine installation plans such as 1 month 3 months 6 months depending on the machine installation.

Second, Skills that will prepare the mechanical and electrical engineers.

Third, we will control direct supervision and coordination, all the processors in installation until the mechanical transport, installation, assembly and test of run. Provide better service to our customers through the conditions and requirements.



*“ We promises your faith partner ”*

**JWITS (JW INDUSTRIAL TECH SERVICE PVT LTD)**

# 2008~2019 Project Business – Machine Install & Turnkey Project 12Years PM Career in INDIA

ALL TYPE OF MACHINE, PRESS & AUTOMATION LINE , PIPE, CONVEYOR , WELDING , ASSEMBLY , PAINT SHOP LINE) MAINTENANCE , REPARING & SHUT DOWN WORK IN YOUR PLANT (PART CHANGE, ASSEMBLY, DISMANTLE, WELDING



## SKILLED TECHNICIAN SUPPLY

Highly skilled technicians supply In more than 10 years, we have experienced mechanical and electrical engineers. We are available for any project successfully and performed perfectly. If there are difficulties of the project, please do not hesitate to ask SLA.



## STRONG MANAGEMENT & STRICT SCHEDULE

All projects require a constant. In the appointment of the customers, we are always keeping our schedules Through daily meetings with workers, our manager is a powerful control and command all the times. I promise to abide by the schedule.



## VARIETY OF INSTALLATION EXPERIENCE AND SKILLS

In the case of the plant difficult to import equipment weight, plan to be a unique experience not possible with SLA. Also available in any turnkey-projects with strong partnerships in India.



## SAFETY FIRST&RESPONSIBLE

For the installation of heavy weight-equipment is a safety hazard will be the most problems. To eliminate this safety hazard,a safety-related meetings and pre-simulation. Always dedicated to responsible for the complete safety construction.

## FOR MACHINE REPARING & FOR MAINTANANCE

When the machine is stopped, please call us. Our qualified engineers will prompt you to fix your machine diagnosis. In addition, machine-related things that can not be resolved on its own, machine-related changes in specifications and related machinery



Do you want the machine repaired?  
Or, are you difficult to machine preservation?  
Are there any difficulties in production?  
Do you need excellent management of the machine?  
We are a professional mechanical engineers.  
Now immediately, please do not hesitate to contact the SLA ENGINEERING.



“ We promises your faith partner ”

JWITS (JW INDUSTRIAL TECH SERVICE PVT LTD)

## MAJOR Development and maintenance Experience (2023~2024)

YYYY	MM	PLACE	Related Automobile	WORK TYPE	Manufacturing	WORK TYPE	PROJECT NAME
2023	JAN~APR	ANDHRA INDIA	KIA MOTORS	DEVELOPMENT	DONGHEE KOREA	MECH. INSTALL	YP LINE MODIFICATION
2023	MAY~AUG	ANDHRA INDIA	KIA MOTORS	DEVELOPMENT	KMI	MECH. INSTALL	PT/ED CONVERTS OIL TRAY EXTAINION
2023	SEP ~DEC	ANDHRA INDIA	KIA MOTORS	DEVELOPMENT	DOOLIM YASKAWA INDIA	MECH. INSTALL	PCS COVER INSTALLATION
2024	JAN~MAR	ANDHRA INDIA	KIA MOTORS	DEVELOPMENT	PAILANT KOREA	MECH. INSTALL	YP OVEN DEMOLITION CONVERSE MODIFICATION
2024	APR~JUN	ANDHRA INDIA	KIA MOTORS	DEVELOPMENT	PAILANT KOREA	MECH. INSTALL	SEALER & STAY WORK STATION EXTAINION OVEN EXTAINION
2024	JUL~SEP	ANDHRA INDIA	KIA MOTORS	MAINTENANCE	PAILANT KOREA	MECH. INSTALL	AY ATTACH MODIFICATION
2024	OCT~DEC	ANDHRA INDIA	KIA MOTORS	MAINTENANCE	DOOLIM YASKAWA INDIA	MECH. INSTALL	PMR PIPE INSULATION WORK KIN ASS FULE DISPENCER MAINT ENCE WORK

*“ We promises your faith partner ”*

**JWITS (JW INDUSTRIAL TECH SERVICE PVT LTD)**

## MAJOR Development and maintenance Experience (2019~2022)

YYYY	MM	PLACE	Related Automobile	WORK TYPE	Manufacturing	WORK TYPE	PROJECT NAME
2019	MAR	ANDHRA INDIA	KIA MOTORS	DEVELOPMENT	DONGHEE KOREA	MECH. INSTALL	YP LINE MODIFICATION
2020	MAR	ANDHRA INDIA	KIA MOTORS	DEVELOPMENT	DONGHEE KOREA	MECH. INSTALL	QY ATTACH MODIFICATION + SIDE LIFTER RE-PLACEMENT (CTS)
2021	MAR	ANDHRA INDIA	KIA MOTORS	DEVELOPMENT	DONGHEE KOREA	MECH. INSTALL	KY ATTACH MODIFICATION
2021	DEC	ANDHRA INDIA	KIA MOTORS	DEVELOPMENT	SEDA ENGINEERING INDIA	MECH. INSTALL	KY ED BATH ROOF RISER PIPE MODIFICATION
2022	MAY	ANDHRA INDIA	KIA MOTORS	DEVELOPMENT	SEDA ENGINEERING INDIA	MECH. INSTALL	DOLLY CLEANING BOOTH EXTENSION (Duct Water Tank Grating)
2022	AUG	ANDHRA INDIA	KIA MOTORS	MAINTENANCE	DONGHEE KOREA	MECH. INSTALL	UBS OVEN RAIL REPLACEMENT
2022	OCT	ANDHRA INDIA	KIA MOTORS	MAINTENANCE	DOOLIM YASKAWA INDIA	MECH. INSTALL	PCS PIPE CHOK RE-CHANGE

# INDIA PROJECT MANAGING EXPERIENCE (2008~2019 INDIA) 12Years Project MANAGING

YYYY	MM	PLACE	Related	Customer	Manufacturing	PROJECT NAME
			Automobile			
2008	AUG	CHENNI INDIA	HYUNDAI	MYUNGSHIN INDIA	ROTEM KOREA	800/600/400/400TON PRESS TANDEM LINE
	NOV	CHENNI INDIA	HYUNDAI	MYUNGSHIN INDIA	SIMPAC KOREA	BLRANKING 400TON & COIL LINE
2009	MAR	PUNE INDIA	GM	DONGSHINMOTEC	SIMPAC KOREA	1200/800/400/400 TANDEM LINE
	JUNE	CHENNI INDIA	NISSAN	UNIPRESS	KOMATSU JAPAN	2000 TON / 600 BRKANKING LINE
	DEC	CHENNI INDIA	HYUNDAI	DAS	WIA KOREA	1200TON PROGRESSIVE PRESS
2010	FEB	BANGALORE INDIA	TOYOTA	TOYOTETSU	KOMATSU JAPAN	1600TON TRANSFER, 800/300 COIL PRESS LINE
	JULY	BANGALORE INDIA	TOYOTA	TOYOTA THUSHO	AMINO	200 DIE-SPOTING PRESS RE-INSTALL
2011	JAN	DELHI INDIA	MARUTI SUZUKI	Bell-sonica(SUMITOMO)	KOMATSU JAPAN	1600 Transfer Press / 300 Press Coil line INSTALL
	APRIL	CHENNI INDIA	HYUNDAI	MYUNGSHIN INDIA	SIMPAC KOREA	800 SIMPAC PRESS TANDEM LINE
	MAY	CHENNI INDIA	BENZ DIMER	MYUNGSHIN INDIA	KMC KOREA	MSGI KMC 1500 PRESS TANDEM LINE
	JULY	BANGALORE INDIA	TOYOTA	TOYOTA THUSHO	HITACH&FUKUI JAPAN	H&F1500 Transfer Line PRESS
	SEP	CHENNI INDIA	NISSAN	UNIPRESS	KOMATSU JAPAN	KOMATSU UNIPRESS 1600 Transfer Line PRESS
	DEC	BANGALORE INDIA	TOYOTA	TOYOTA THUSHO	HITACH&FUKUI JAPAN	H&F 500 PRESS, SLITER LINE
	2012	FEB	DELHI INDIA	MARUTI SUZUKI	JBM	KOMATSU JAPAN
JUNE		DELHI INDIA	MARUTI SUZUKI		KOMATSU JAPAN	5200 High Speed Tandem PRESS LINE
2013	MAR	BANGALORE INDIA	Honda, Kawasaki	MUSASHI	KOMATSU JAPAN	MUSASHI 620ton Hiting-Forging PRESS LINE
	APRIL	CHENNI INDIA	BENZ DIMER	MYUNGSHIN INDIA	KMC KOREA	500 Brking /1000Tandam / 1500 Transfer PRESS LINE
	OCT	DELHI INDIA	MARUTI SUZUKI		KOMATSU JAPAN	5200 High Speed Tandem PRESS LINE
2014	MAR	PUNE INDIA	GM	GESTAMP INDIA	SIMPAC KOREA	1000 Tandem Line Re-location work
2018	JUNE	ANDHRA INDIA	KIA MOTORS		DONGHEE KOREA	FCS/CPC CONVEYOR LINE (WBS,PAINT,UBS,CTS)

*“ We promises your faith partner ”*

**JWITS (JW INDUSTRIAL TECH SERVICE PVT LTD)**

## BUSINESS – Project Performance Major Customers



**KIA India Private Limited (KIN)**  
(Andra Pradesh)

**MOBIS**



**Mobis India Limited (AP)**



**HYUNDAI Motor India Limited(HMI)**  
(Chennai)



TOYOTA TSUSHO

**SEOYON E-HWA SUMMIT ANANTAPUR (AP)**

**TOYOTA TSUSHO INDIA PRIVATE LIMITED**  
(BANGALORE)



**Maruti Suzuki India Ltd**  
(Delhi)



**Toyotetsu India Auto Parts Pvt Ltd (BANGALORE)**

**KOMATSU**

**KOMATSU INDIA PVT. LTD.(BANGGALORE,DELHI)**



**Toyota Kirloskar Motor Private Limited**  
(TKM)(Bangalore)



**Bellsonica Auto Component (DELHI)**



**Tata Motors Inida Pvt. Ltd.**  
(Ahemadabad)



Our milestones are touchstones

**Jay Bharat Maruti Ltd.(JBM)(DELHI)**



Enriching lives and the world

**Sumitomo Corporation India Private Limited (CHENNAI)**



**Fiat India Automobiles Limited (FCA)**  
(Pune) TATA MOTORS and Fiat Chrysier



UNIPRES

**UNIPRESS INDIA Pvt. Ltd.(CHENNAI)**



World's First Automobile Components Manufacturer

**Sungwoo Hitech AP Pvt Ltd (CHENNAI)**



**MYOUNGSHIN IINDIA PVT LTD (CHENNAI)**



Go Further

**Ford India Private Limited**  
(CHENNAI)



**PHA INDIA LTD (CHENNAI)**



**Renault India Automotive Pvt. Ltd.**  
(CHENNAI)



**Gestamp Automotive Chennai Private Limited (CHENNAI)**

**posco**

**POSCO India Private Limited (CHENNAI)**

*“ We promises your faith partner ”*

**JWITS (JW INDUSTRIAL TECH SERVICE PVT LTD)**